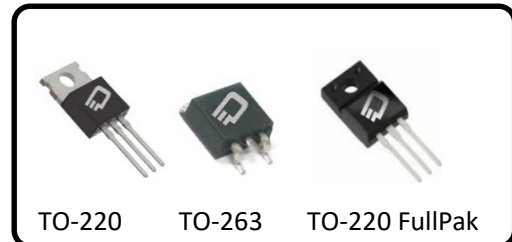


## 650V, 210mΩ, 20.5 A Super Junction Power MOSFET

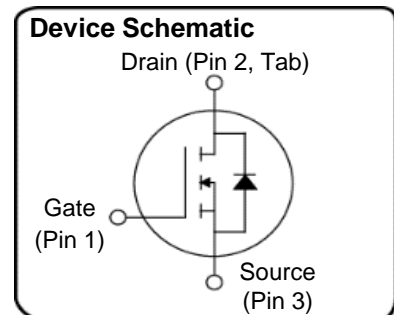
### Ordering Information

| Part Number  | Package Option      |
|--------------|---------------------|
| D3S210N65B-U | TO-220              |
| D3S210N65E-T | TO-263              |
| D3S210N65F-U | TO-220 FullPak (FP) |



### Description

+FET™ is an advanced Super Junction Power MOSFET offering excellent efficiency through low  $R_{DS(ON)}$  and low gate charge. +FET™ is a rugged device with precision charge balance implementation designed for demanding uses such as enterprise power computing power supplies, motor control, lighting and other challenging power conversion applications.



#### Features

- LOW  $R_{DS(ON)}$
- FAST SWITCHING
- HIGH  $E_{AS}$
- REL TEST SPEC: JESD-22
- LOW OUTPUT CAPACITANCE

#### Benefits

- LOW CONDUCTION LOSSES
- HIGH EFFICIENCY
- EXCELLENT AVALANCHE PERFORMANCE

### Table 1 Key Performance Parameters

| Parameters               | Value | Unit |
|--------------------------|-------|------|
| $V_{DS} @ T_{J \max}$    | 710   | V    |
| $R_{DS(on), \max}$       | <210  | mΩ   |
| $Q_g, \text{typ}$        | 28    | nC   |
| $I_D @ 25^\circ\text{C}$ | 20.5  | A    |
| $C_{oss}$                | 47    | pf   |

#### Applications

- POWER FACTOR CORRECTION
- SERVER POWER SUPPLIES
- TELECOM POWER SUPPLIES
- INVERTERS
- MOTOR CONTROL

## Table of contents

|  |    |
|--|----|
| Description-----                         | 1  |
| Maximum ratings-----                     | 3  |
| Thermal characteristics-----             | 3  |
| Electrical characteristic-----           | 4  |
| Electrical characteristics diagrams----- | 6  |
| Test Circuit & Waveform-----             | 11 |
| Revision-----                            | 16 |

@  $T_J = 25^\circ\text{C}$ , unless otherwise specified

**Table 2 Maximum ratings**

| Parameter                         | Symbol         | Values |      |                |       | Unit             | Note/Test Condition   |
|-----------------------------------|----------------|--------|------|----------------|-------|------------------|---|
|                                   |                | Min.   | Typ. | Max.           |       |                  |   |
|                                   |                |        |      | 220, 263 & 247 | 220FP |                  |   |
| Continuous drain current(1)       | $I_D$          |        |      | 20.5           | 11.8  | A                | $T_C = 25^\circ\text{C}$  |
|                                   |                |        |      | 13.0           | 7.5   |                  | $T_C = 100^\circ\text{C}$   |
| Pulsed drain current(2)           | $I_{D,pulse}$  |        |      | 86.4           | 47.4  | A                | $T_C = 25^\circ\text{C}$  |
| Avalanche energy, single pulse    | $E_{AS}$       |        |      | 399            | 399   | mJ               | $I_D=3.5\text{A}, V_{DD}=50\text{V}$                              |
| Avalanche energy, repetitive      | $E_{AR}$       |        |      | 1.0            | 1.0   | mJ               | $I_D=3.5\text{A}, V_{DD}=50\text{V}$                              |
| Avalanche current, repetitive     | $I_{AR}$       |        |      | 3.5            | 3.5   | A                |   |
| MOSFET dv/dt ruggedness           | dv/dt          |        |      | 50             | 50    | V/ns             | $V_{DS}=\dots480\text{V}$   |
| Gate source voltage               | $V_{GS}$       | -30    |      | 30             | 30    | V                | static  |
|                                   |                | -30    |      | 30             | 30    |                  | AC (f > 1HZ)  |
| Power dissipation for TO-220      | $P_{tot}$      |        |      | 187            | 56    | W                | $T_C = 25^\circ\text{C}$  |
| Operating and storage temperature | $T_J, T_{stg}$ | -55    |      | 150            | 150   | $^\circ\text{C}$ |   |
| Mounting torque                   |                |        |      | 60             |       | Ncm              | M3 and M3.5 screws  |
|                                   |                |        |      |                | 50    |                  | M3 screws   |
| Continuous diode forward current  | $I_S$          |        |      | 21.6           | 11.8  | A                | $T_C = 25^\circ\text{C}$  |
| Diode pulsed current              | $I_{S,pulse}$  |        |      | 86.4           | 47.4  | A                | $T_C = 25^\circ\text{C}$  |
| Reverse diode dv/dt(3)            | dv/dt          |        |      | 15             | 15    | V/ns             | $V_{DS}=\dots480\text{V}, I_{SD}<I_D$<br>$T_J = 25^\circ\text{C}$ |
| Maximum diode commutation speed   | dif/dt         |        |      | 500            | 500   | A/us             |   |

**Table 3 Thermal characteristics**

| Parameter  | Symbol     | Values |      |                |       | Unit                      | Note/Test Condition     |
|--|------------|--------|------|----------------|-------|---------------------------|-------------------------|
|  |            | Min.   | Typ. | Max.           |       |                           |                         |
|  |            |        |      | 220, 263 & 247 | 220FP |                           |                         |
| Thermal resistance, Junction-case                          | $R_{thJC}$ |        |      | 0.75           | 2.23  | $^\circ\text{C}/\text{W}$ |                         |
| Thermal resistance, Junction-ambient                       | $R_{thJA}$ |        |      | 48             | 50    | $^\circ\text{C}/\text{W}$ | Leaded                  |
| Soldering temperature, wavesoldering only allowed at leads | $T_{sold}$ |        |      | 260            | 260   | $^\circ\text{C}$          | 1.6mm form case for 10s |

**Table 4 Static characteristics**

| Parameter                         | Symbol        | Values |      |      | Unit       | Note/Test Condition                         |
|-----------------------------------|---------------|--------|------|------|------------|---|
|                                   |               | Min.   | Typ. | Max. |            |   |
| Drain to source breakdown voltage | $V_{(BR)DSS}$ | 650    |      |      | V          | $V_{GS}=0V, I_D=1mA$                        |
| Gate threshold voltage            | $V_{GS(TH)}$  | 2.3    | 3.2  | 4.5  | V          | $V_{DS}=V_{GS}, I_D=105\mu A$               |
| Zero gate voltage drain current   | $I_{DSS}$     |        |      | 1    | uA         | $V_{DS}=650V, V_{GS}=0V, T_J = 25^\circ C$  |
|                                   |               |        |      | 40   |            | $V_{DS}=650V, V_{GS}=0V, T_J = 150^\circ C$ |
| Gate to source leakage current    | $I_{GSS}$     |        |      | 100  | nA         | $V_{GS}=\pm 20V, V_{DS}=0V$                 |
| Drain-source on-state resistance  | $R_{DS(on)}$  |        | 160  | 210  | m $\Omega$ | $V_{GS}=10V, I_D=10.8A, T_J = 25^\circ C$   |
|                                   |               |        | 442  |      | m $\Omega$ | $V_{GS}=10V, I_D=10.8A, T_J = 150^\circ C$  |
| Gate resistance                   | $R_G$         |        | 1.1  |      | $\Omega$   | Scaf-F                                      |

**Table 5 Dynamic characteristics**

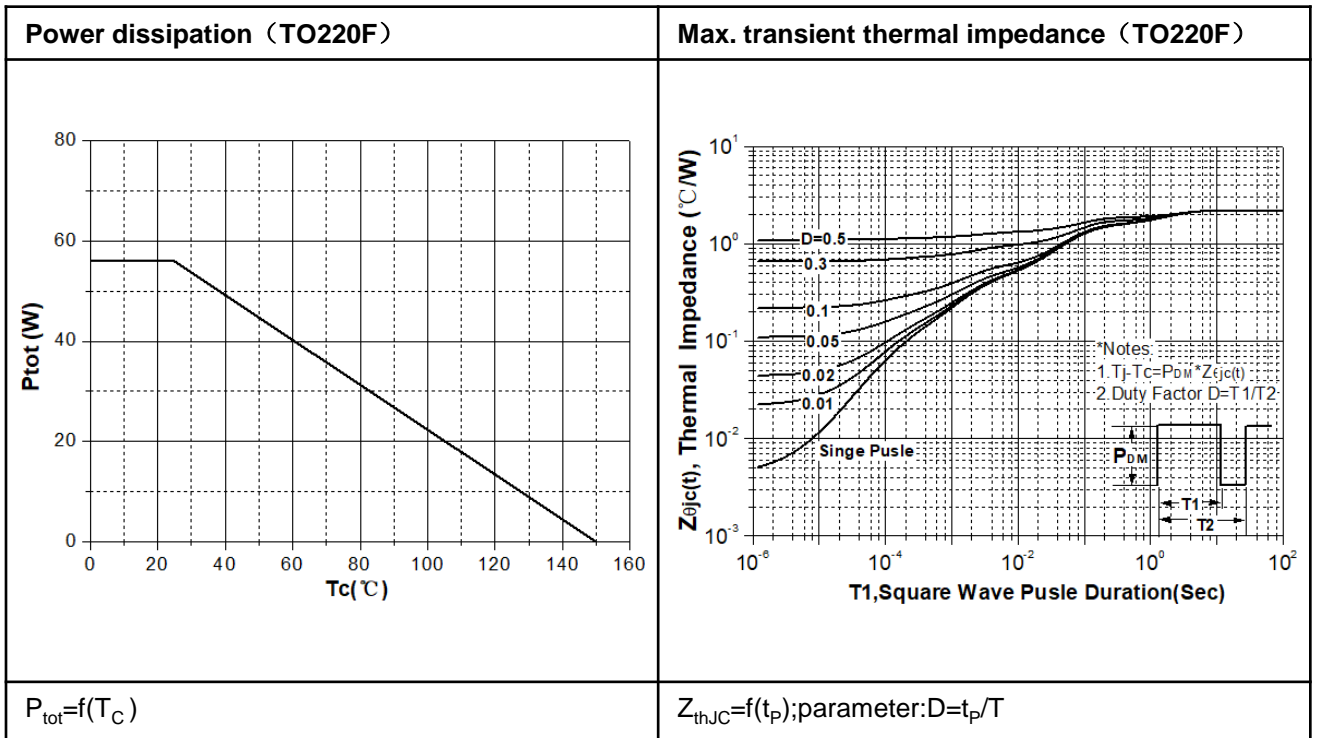
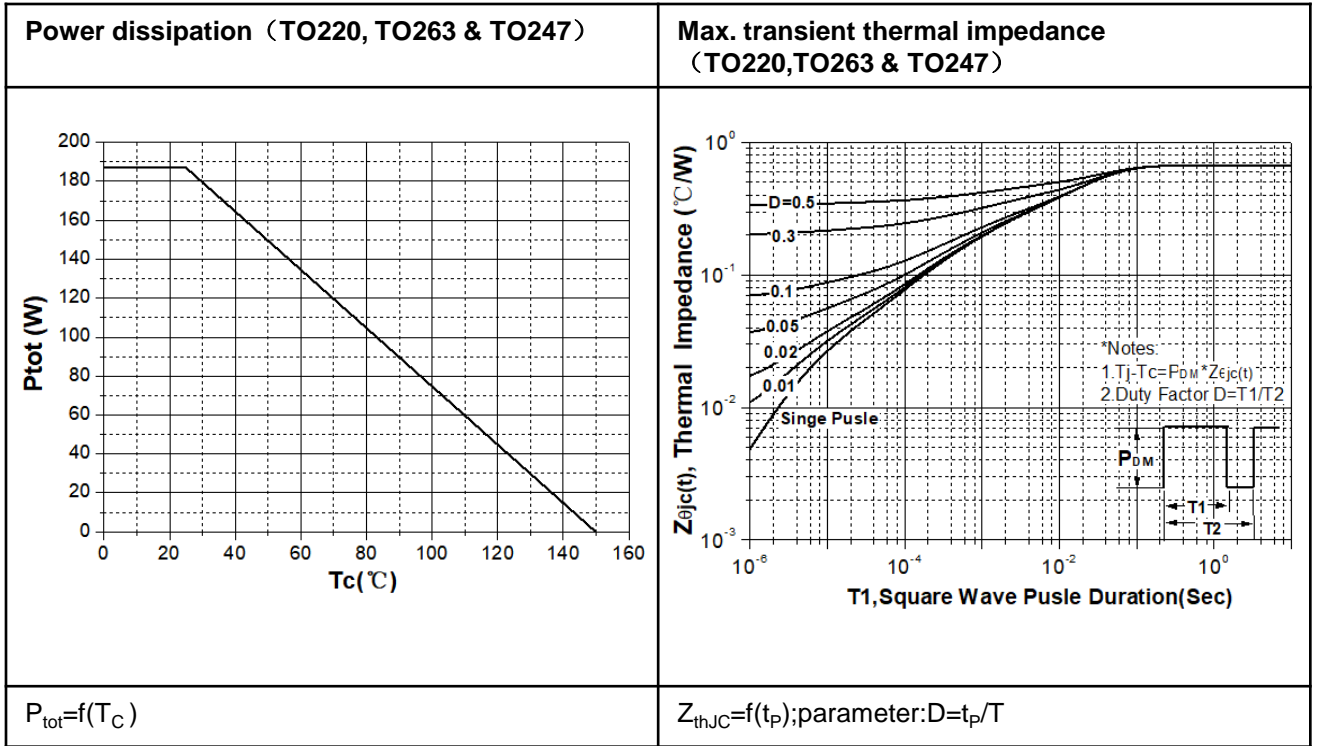
| Parameter                                      | Symbol       | Values |      |      | Unit | Note/Test Condition                                 |
|--|--------------|--------|------|------|------|---|
|  |              | Min.   | Typ. | Max. |      |   |
| Input capacitance                              | $C_{iss}$    |        | 1171 |      | pF   | $V_{GS}=0V, V_{DS}=100V, f=1MHz$                    |
| Output capacitance                             | $C_{oss}$    |        | 47   |      | pF   |   |
| Reverse transfer capacitance                   | $C_{rss}$    |        | 8    |      | pF   |   |
| Effective output capacitance, energy related 1 | $C_{o(er)}$  |        | 81   |      | pF   | $V_{DS}=0\dots 480V, V_{GS}= 0V$                    |
| Effective output capacitance, time related 2   | $C_{o(tr)}$  |        | 205  |      | pF   | $I_D=constant, V_{DS}=0\dots 480V, V_{GS}= 0V$      |
| Turn on delay time                             | $t_{d(on)}$  |        | 7.5  |      | ns   | $V_{DD}=400V, I_D=10.8A, R_G=3.4\Omega, V_{GS}=13V$ |
| Rising time                                    | $t_r$        |        | 23   |      | ns   |   |
| Turn off delay time                            | $t_{d(off)}$ |        | 23   |      | ns   |   |
| Fall time                                      | $t_f$        |        | 22   |      | ns   |   |

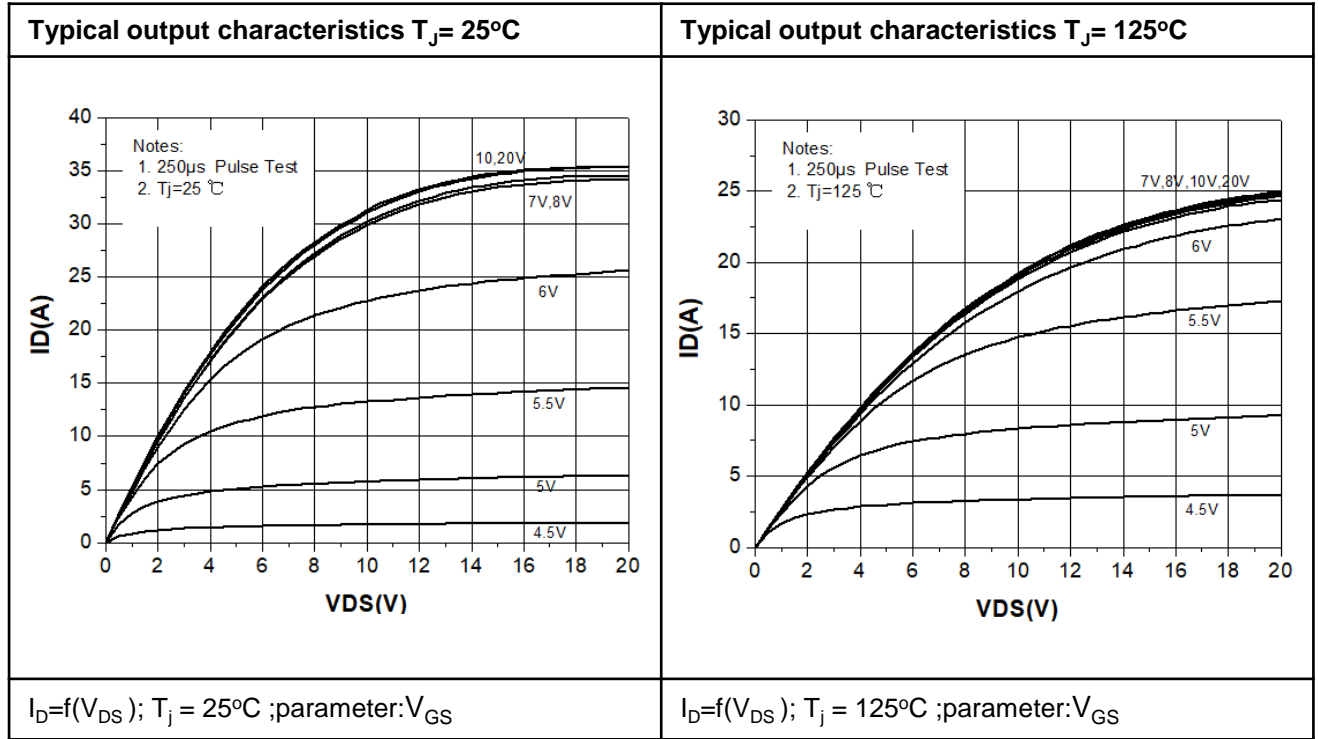
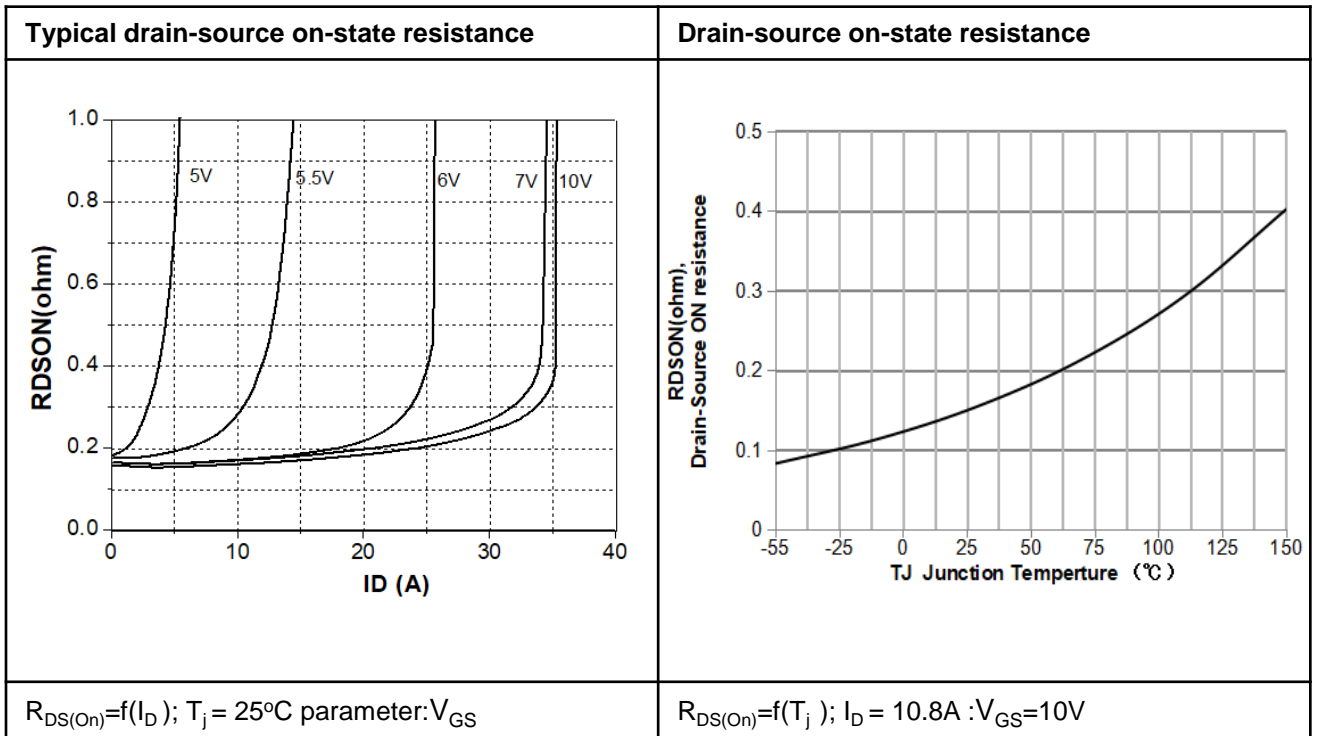
**Table 6 Gate charge characteristics**

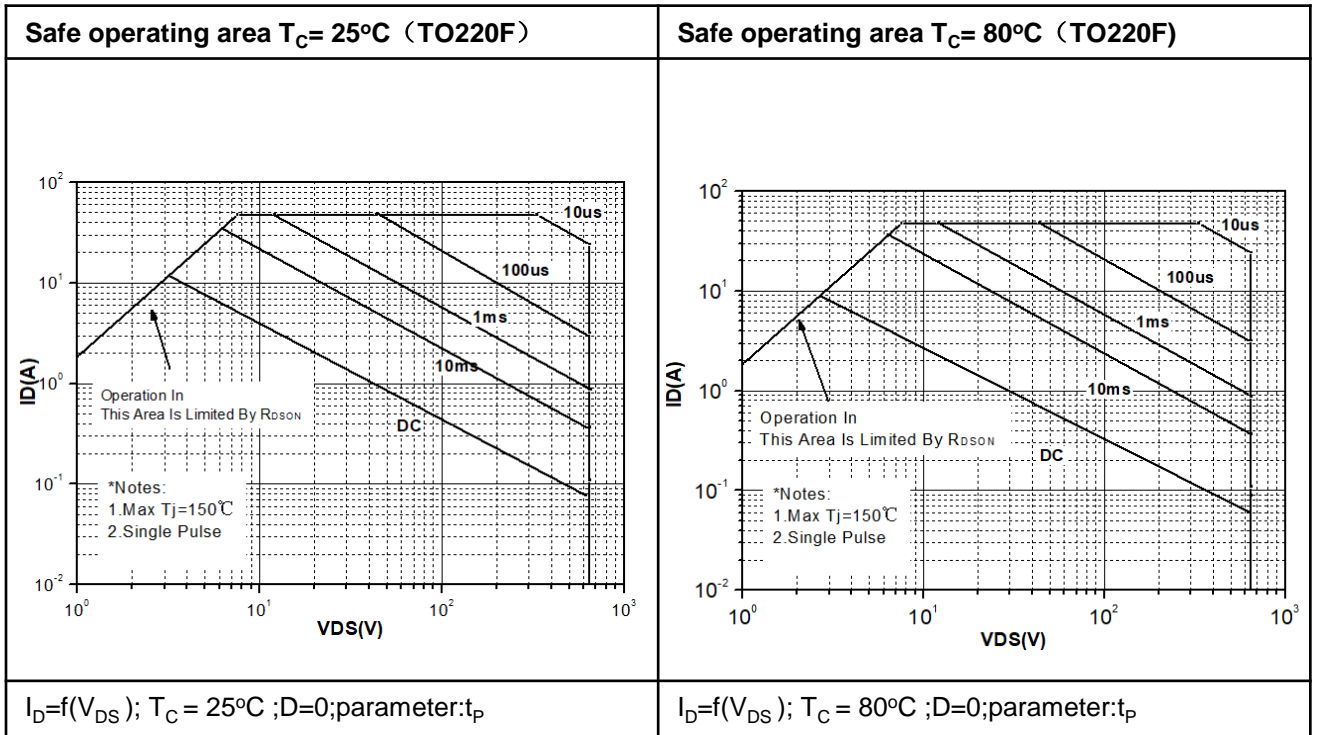
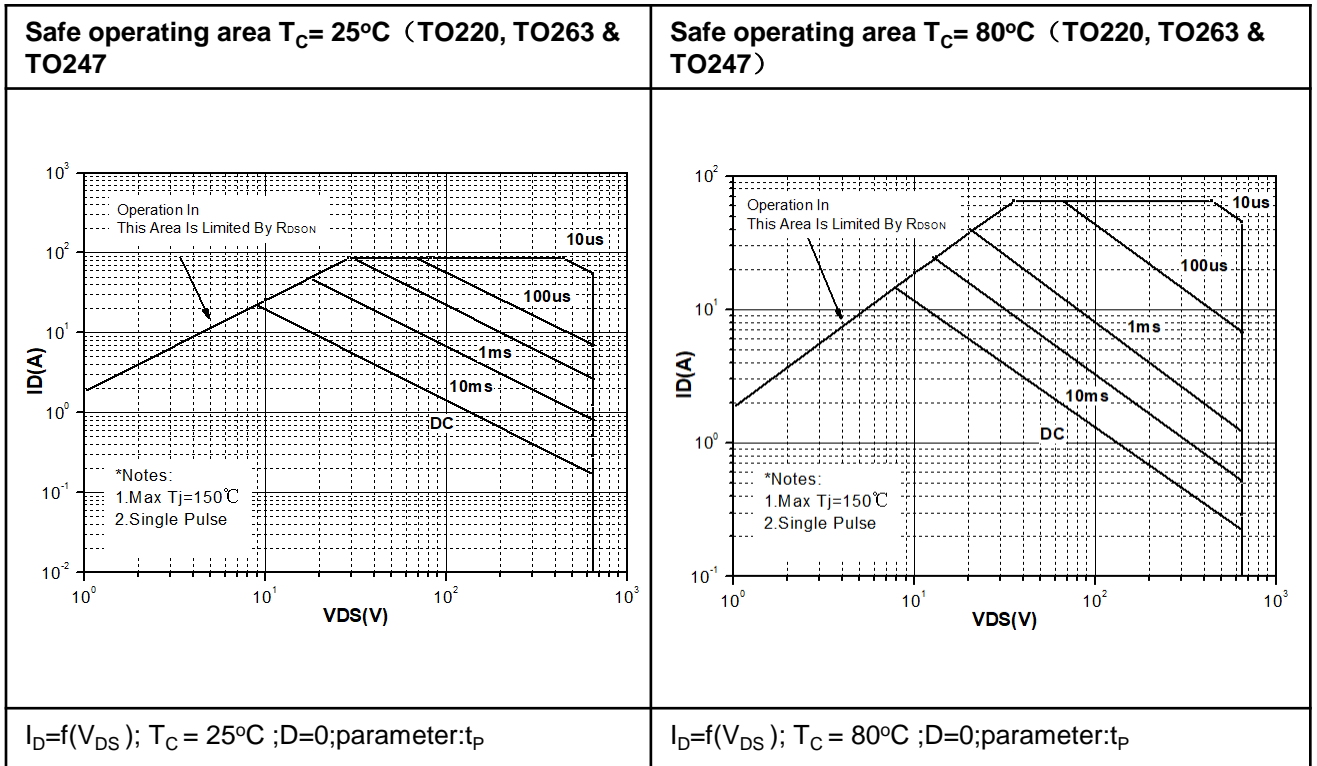
| Parameter            | Symbol        | Values |      |      | Unit | Note/Test Condition                                |
|----------------------|---------------|--------|------|------|------|--|
|                      |               | Min.   | Typ. | Max. |      |  |
| Total gate charge    | $Q_g$         |        | 28   |      | nC   | $V_{DD}=480V, V_{GS}=0 \text{ to } 10V, I_D=10.8A$ |
| Gate-source charge   | $Q_{gs}$      |        | 5.4  |      | nC   |  |
| Gate-drain charge    | $Q_{gd}$      |        | 13   |      | nC   |  |
| Gate plateau voltage | $V_{plateau}$ |        | 5.0  |      | V    |  |

**Table 7 Reverse diode characteristics**

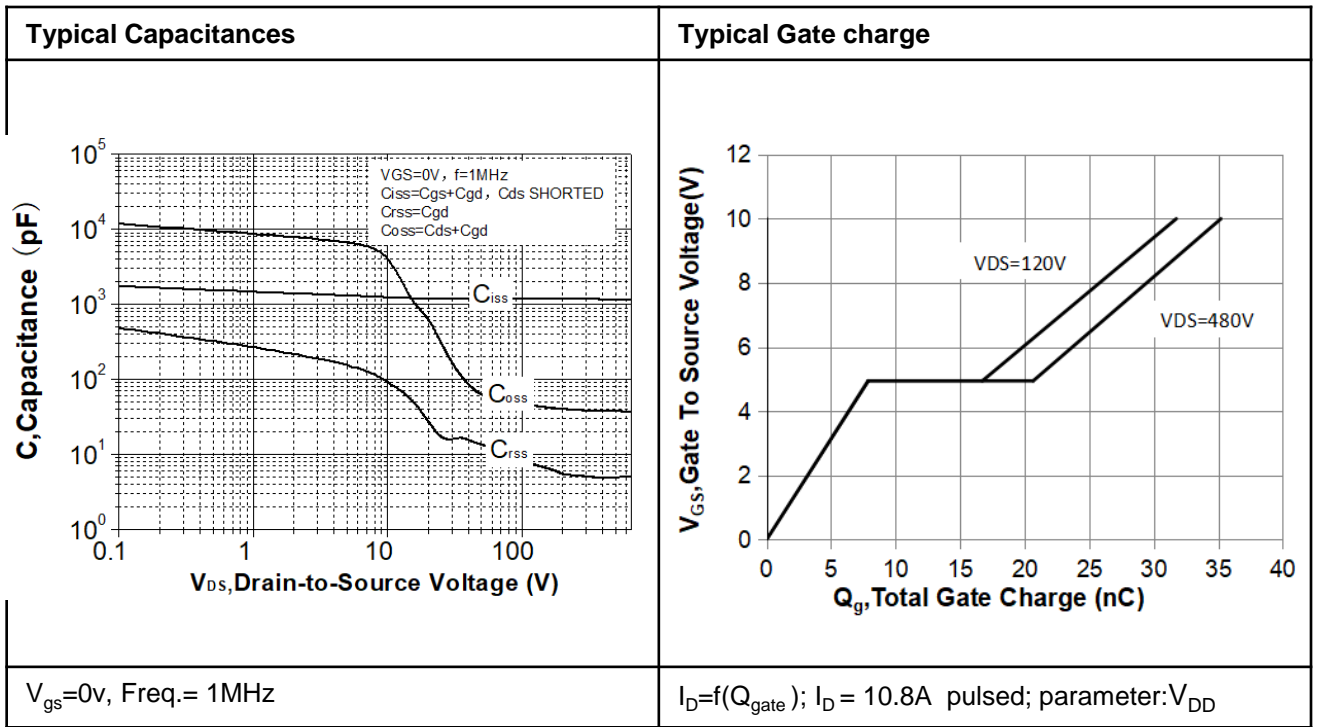
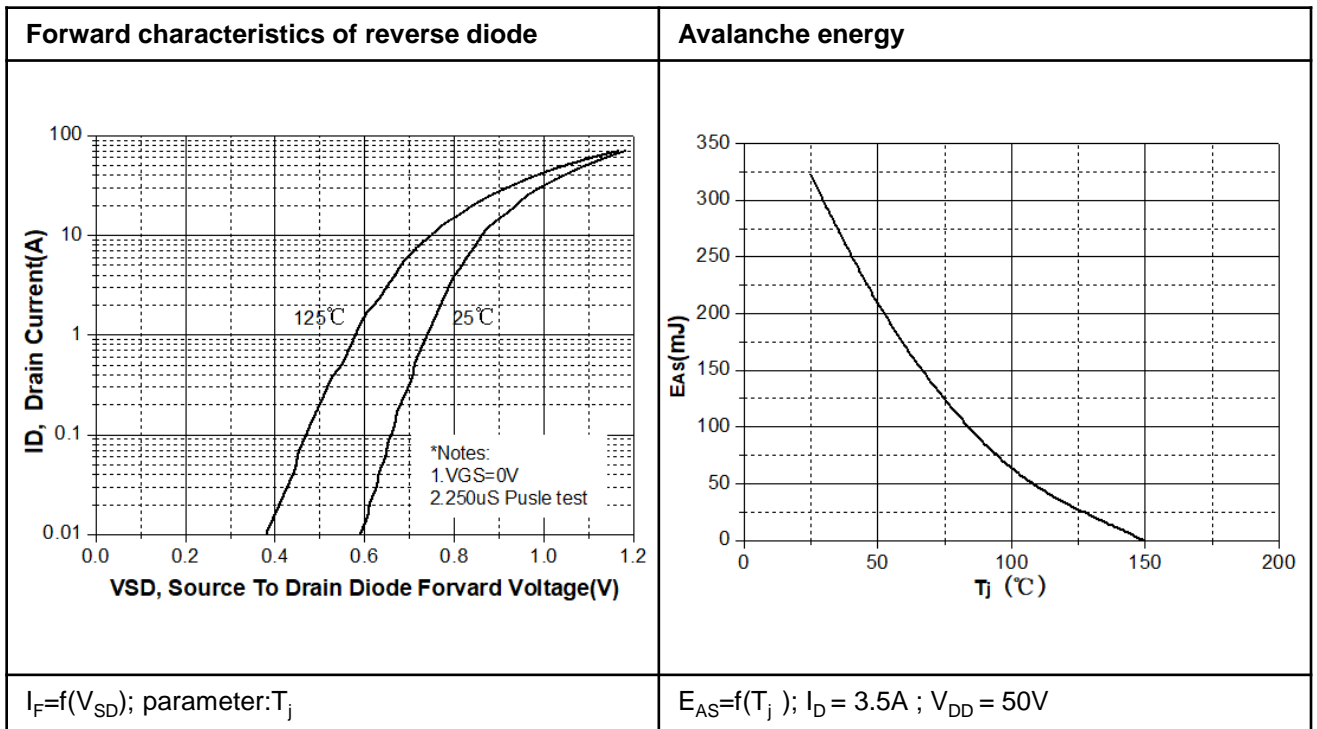
| Parameter                     | Symbol    | Values |      |      | Unit | Note/Test Condition                      |
|-------------------------------|-----------|--------|------|------|------|--|
|                               |           | Min.   | Typ. | Max. |      |  |
| Diode forward voltage         | $V_{SD}$  |        | 0.87 | 0.96 | V    | $I_F=21.6A, V_{GS}=0V, T_J = 25^\circ C$ |
| Reverse recovery time         | $t_{rr}$  |        | 334  |      | ns   | $I_F=21.6A, dI_F/dt=100A/us$             |
| Reverse recovery charge       | $Q_{rr}$  |        | 4.4  |      | uC   |  |
| Peak reverse recovery current | $I_{rrm}$ |        | 25.5 |      | A    |  |

**Table 8 Thermal Performance**


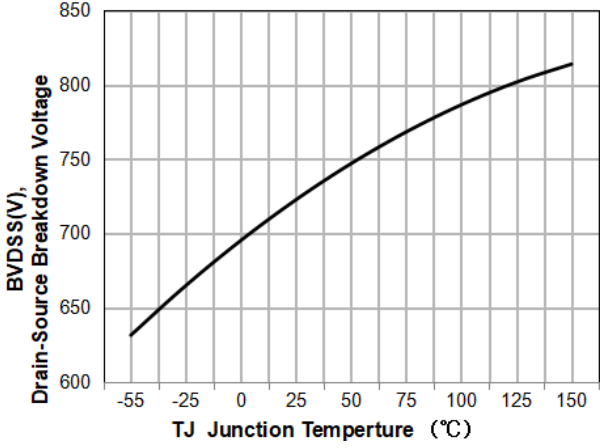
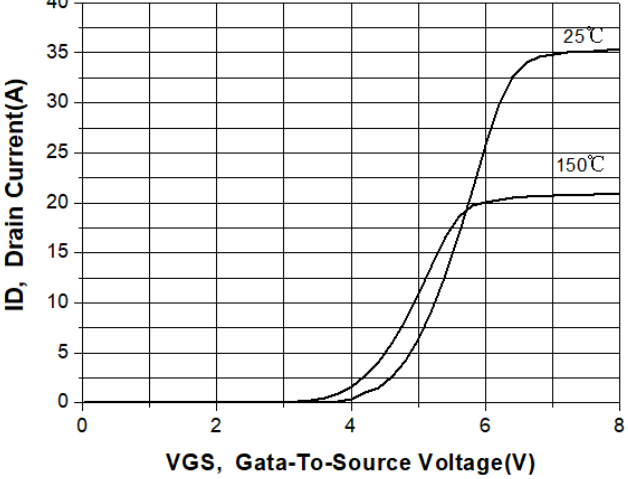
**Table 9 Output Characteristics**

**Table 10 Drain Source Resistance**


**Table 11 Safe Operating Area**


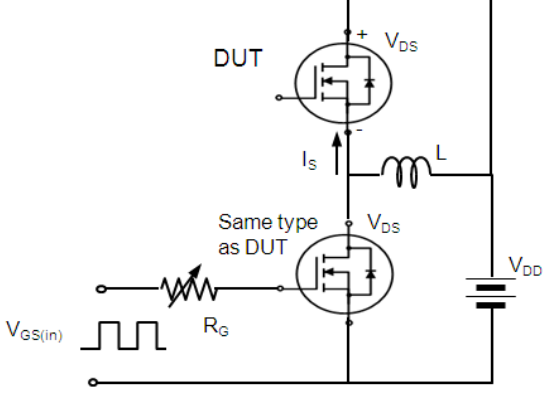
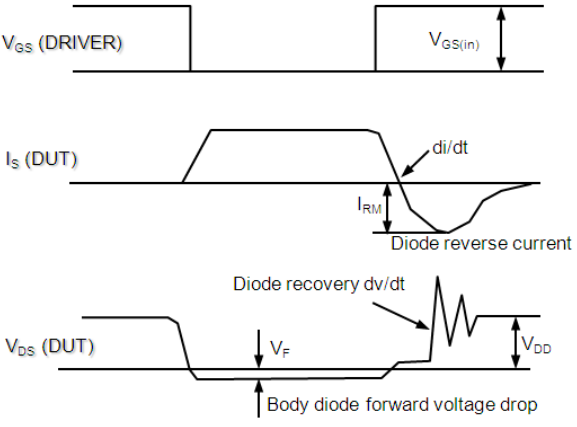


**Table 12 Capacitance and Gate Charge**

**Table 13 Diode Characteristics and Avalanche Energy**


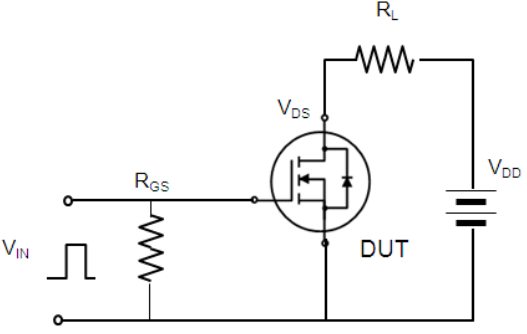
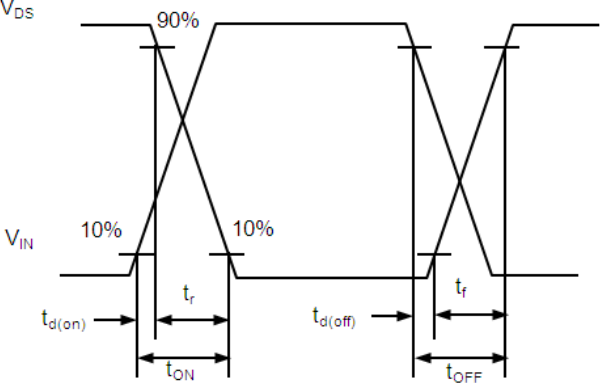
**Table 14 Breakdown Voltage and Transfer Characteristics**

| Drain-source breakdown voltage   | Transfer Characteristics  |
|--|---|
|  <p>The graph shows the Drain-Source Breakdown Voltage (BVDSS) in Volts (V) on the y-axis (ranging from 600 to 850) versus the TJ Junction Temperature in degrees Celsius (°C) on the x-axis (ranging from -55 to 150). The curve shows a positive correlation, starting at approximately 630V at -55°C and rising to about 815V at 150°C.</p> |  <p>The graph shows the Drain Current (ID) in Amperes (A) on the y-axis (ranging from 0 to 40) versus the Gate-To-Source Voltage (VGS) in Volts (V) on the x-axis (ranging from 0 to 8). Two curves are shown for different temperatures: 25°C and 150°C. The 25°C curve shows a higher drain current, reaching a saturation point of approximately 35A at 7V VGS. The 150°C curve shows a lower drain current, reaching a saturation point of approximately 20A at 7V VGS.</p> |
| $V_{BR(DSS)} = f(T_j); I_D = 1\text{mA}$   | $I_D = f(V_{GS});  V_{DS}  > 2 I_D R_{DS(On)max}; \text{parameter: } T_j$   |

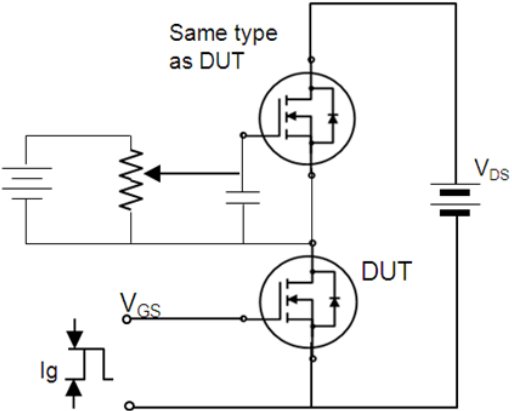
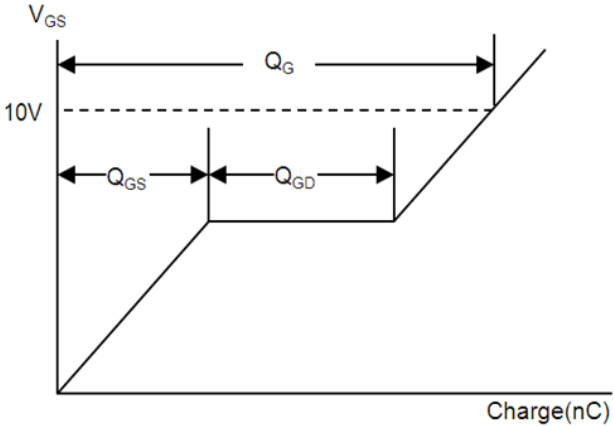
**Table 15 Diode Recovery Characteristic**

| Test Circuit For Diode Recovery  | Test Waveform For Diode Recovery   |
|--|--|
|  <p>*. <math>dv/dt</math> controlled by <math>R_G</math><br/>         *. <math>I_S</math> controlled by pulse period</p> |  |

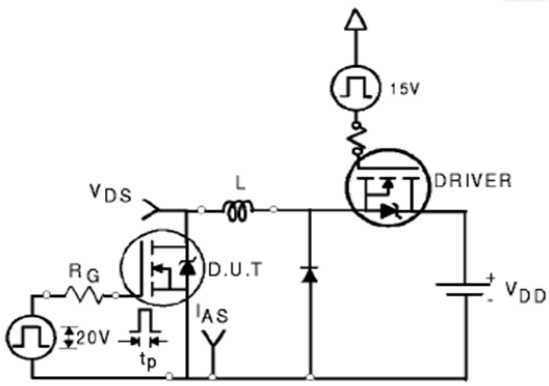
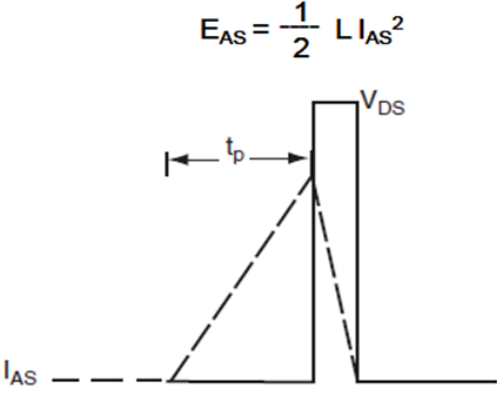
**Table 16 Switching Time Characteristic**

| Test Circuit for Switching Time   | Test Waveform for Switching Time   |
|---|--|
|  |  |

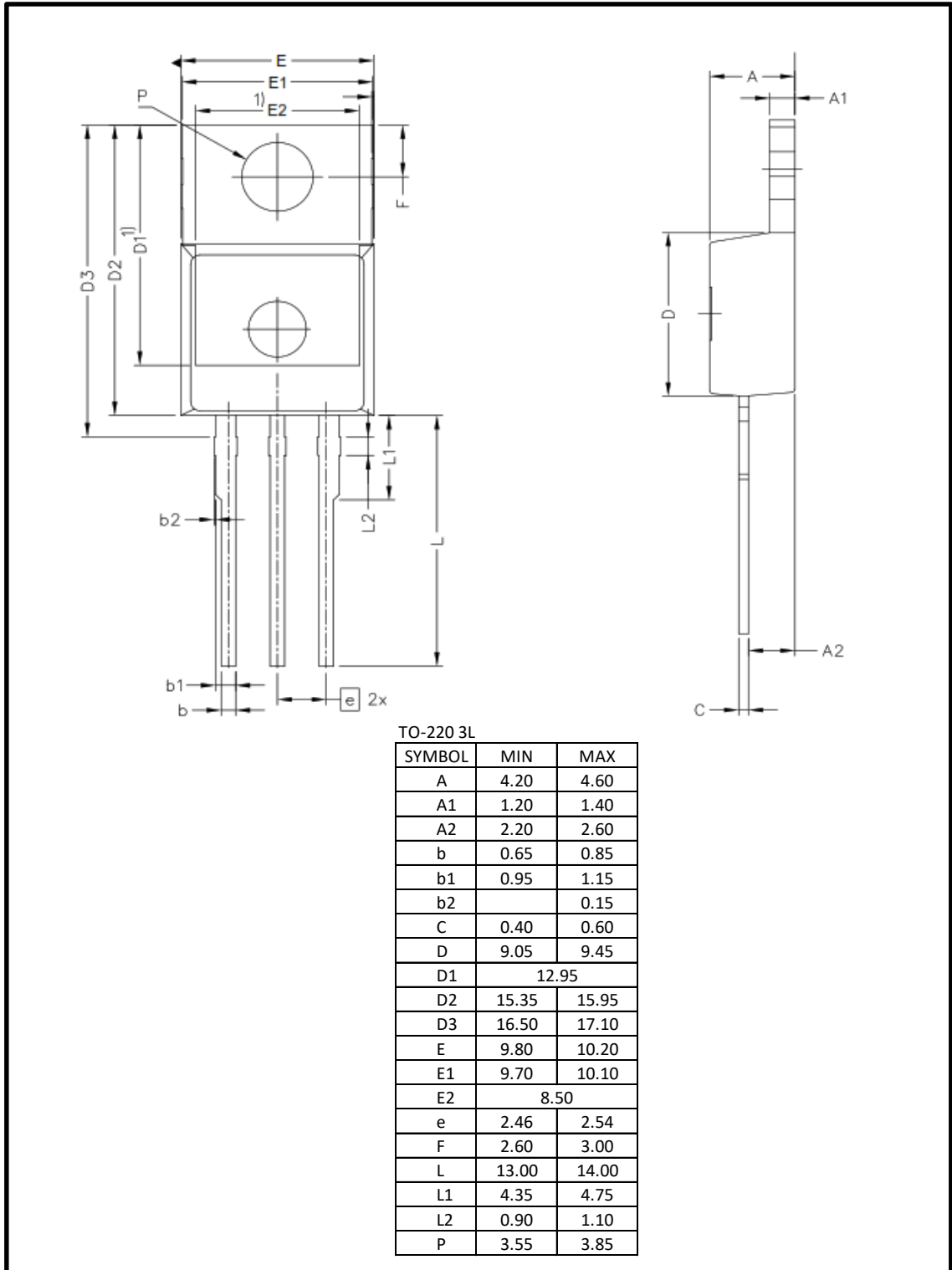
**Table 17 Gate Charge Characteristic**

| Test Circuit For Gate Charge  | Test Waveform For Gate Charge  |
|---|--|
|  |  |

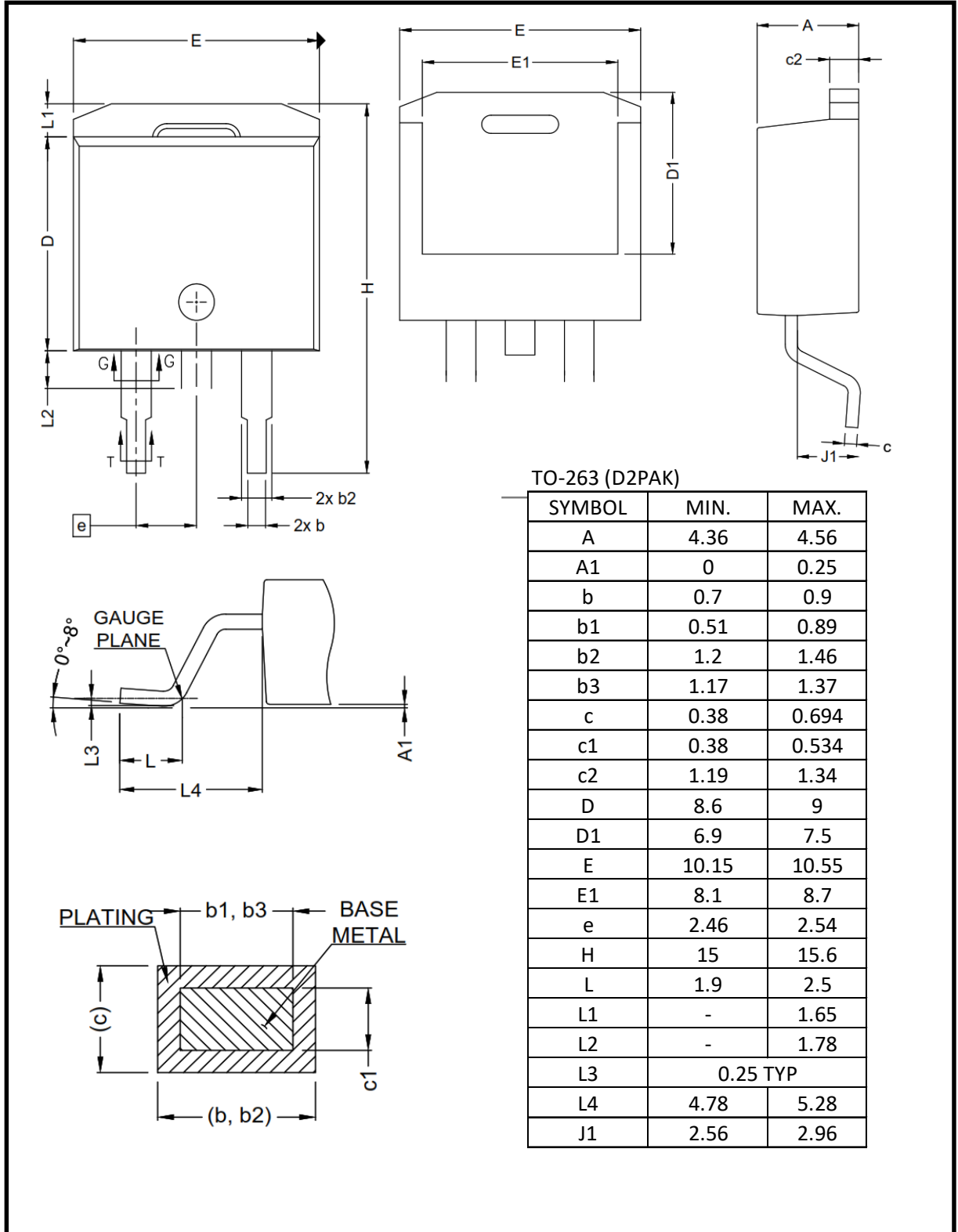
**Table 18 Unclamped Inductive Characteristic**

| Test Circuit For Unclamped Inductive   | Test Waveform For Unclamped Inductive  |
|--|--|
|  |  $E_{AS} = \frac{1}{2} L I_{AS}^2$ |

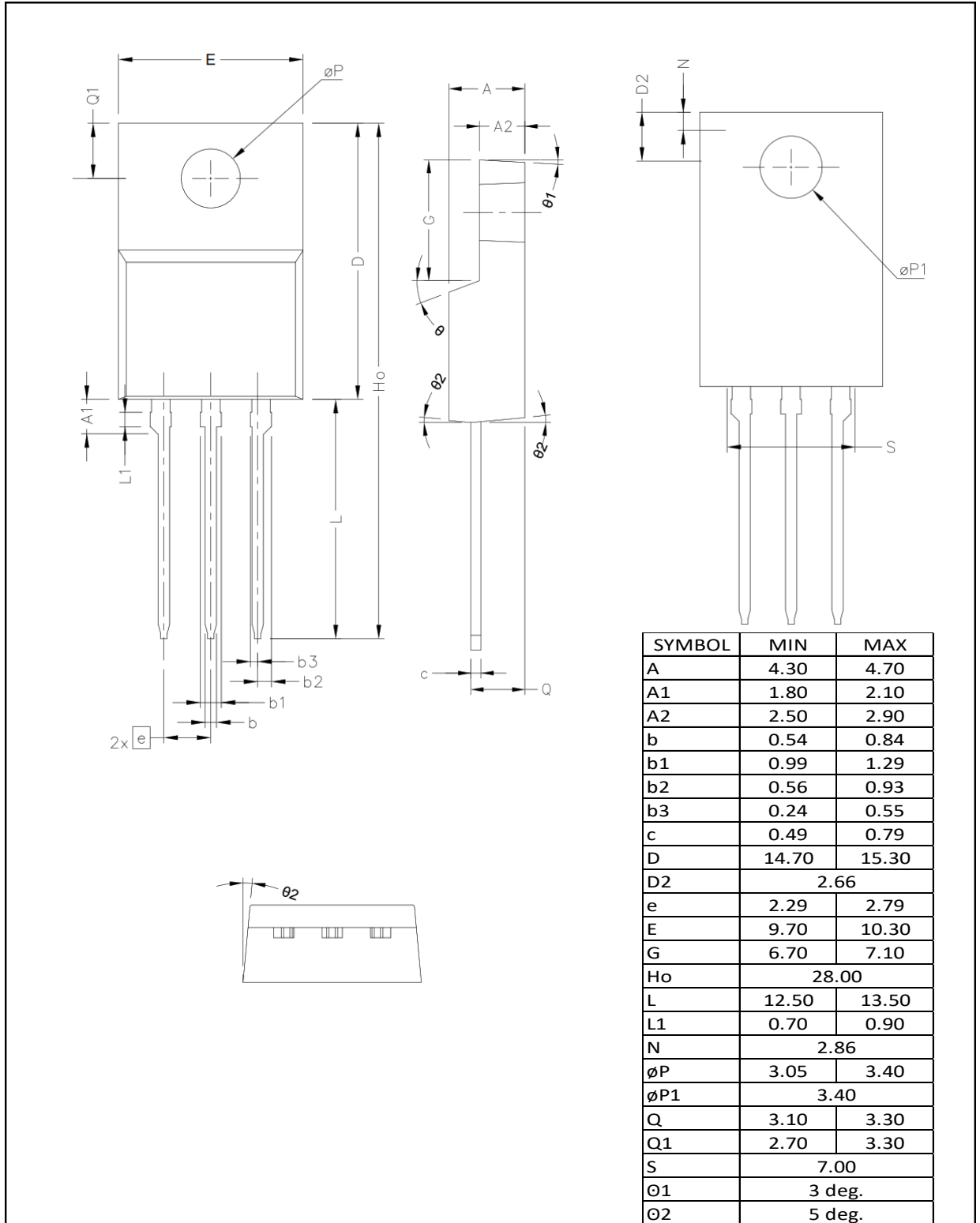
**4a) TO-220**



4b) TO-263



### 4C) TO-220 FullPak



## Revision History

| Revision | Release Date | Comments  |
|----------|--------------|-----------|
| 1.0      | 18-Apr- 2019 | Datasheet |


## Resources

[www.d3semi.com](http://www.d3semi.com)

## Patents, Copyrights and Trademarks

U.S. and Foreign Patents Pending.

The following are trademarks and service marks owned by D3 Semiconductor:

D3 Semiconductor<sup>®</sup>, “Flying D” <sup>®</sup>, +FET, Defining Precision Power . All Trademarks are property of their respective owners. © D3 Semiconductor 2016. All rights reserved

## Legal Disclaimer

The information in this document is provided solely regarding D3 Semiconductor (“D3”) products. The information is not a guarantee of performance or characteristics. D3 Semiconductor reserves the right to modify, change, amend, improve or make corrections to this document, and its products, at any time and its sole discretion without prior written consent or notice. No license to any intellectual property rights is granted or implied under this document. D3 Semiconductor disclaims warranties and liabilities of any kind including non-infringement of intellectual property rights of any third party. D3 Semiconductor products may be used in applications such as automotive, military, aerospace, medical or other applications where failure or malfunction may result in personal injury, death or severe property or environmental damage only with express written approval from D3 Semiconductor. Sale of D3 Semiconductor products are subject to D3 Semiconductor’s standard terms and conditions. Products not purchased through D3 Semiconductor’s authorized distributors, agents or sales representatives are void of warranty.